

IN THE DRAWINGS:

The attached sheet of drawings includes changes to FIGS. 5A and 5B. This sheet replaces the original sheet including FIGS. 5A and 5B.

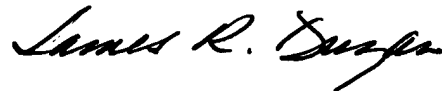
Specifically, FIG. 5A has been revised to shorten and change the lead line extending from reference numeral --76-- to a lead line arrow; and FIG. 5B has been revised to add an arrow point to the lead line extending from reference numeral --76--. No new matter has been added.

REMARKS

This amendment corrects errors in the text and drawings. Entry is respectfully solicited.

This amendment is submitted prior to or concurrently with the payment of the issue fee and, therefore, no petition or fee is required. No new matter has been added.

Respectfully submitted,



James R. Duzan
Registration No. 28,393
Attorney for Applicant(s)
TRASKBRITT
P.O. Box 2550
Salt Lake City, Utah 84110-2550
Telephone: 801-532-1922

Date: December 9, 2004

JRD/csw

Enclosures: Replacement Sheet
Annotated Sheet Showing Changes

\\Traskbritt1\Shared\DOCS\2269-4715US\90638.doc

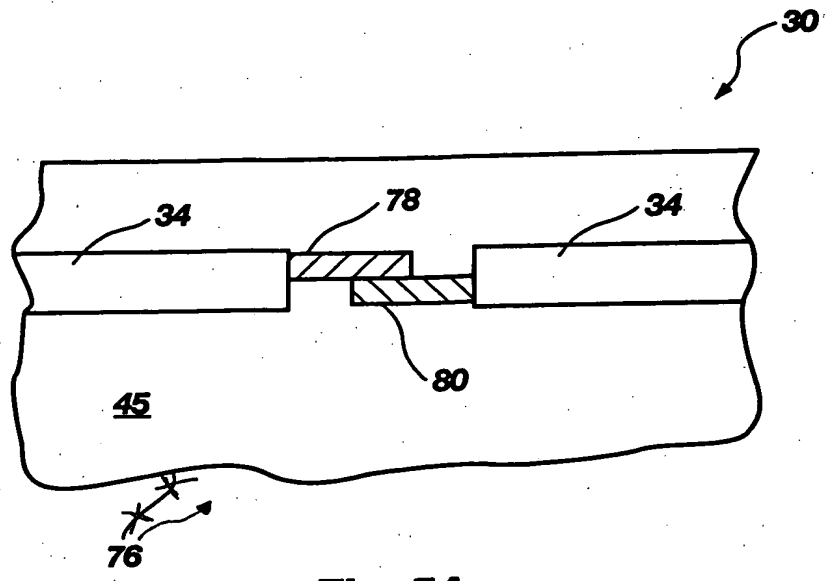


Fig. 5A

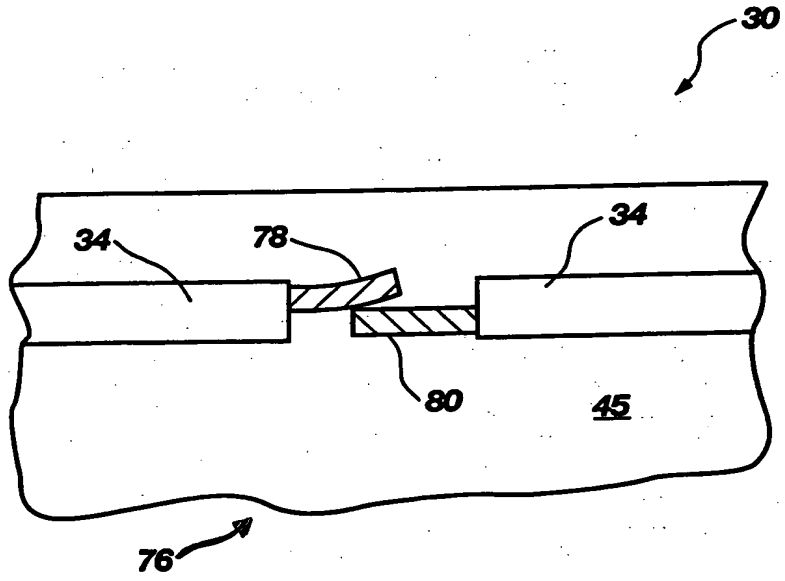


Fig. 5B